

RX-850EV

Label Printing Scale

Essae[®]
...for Excellence



Elegant design to enliven your counter



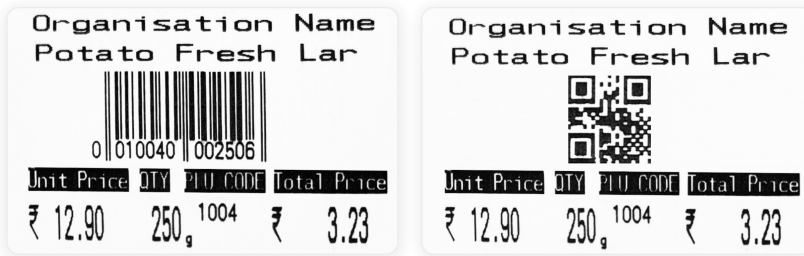
Technical Specifications

Description	RX-850EV Label Printing Scale
Capacity / Accuracy	6 kg/1 g, 15 kg/2 g, 30 kg/5 g
Platter size (mm)	370 x 275
Processor	32-bit ARM processor
Weight sensor	Load cell
Power supply	230 V AC
Operating temperature	0°C to 45°C
Operator & customer display	256 x 64 Dot Matrix LCD (White)
Label printer speed	80 mm/sec
Paper	Width : 20 ~ 62 mm Length : 20 ~ 110 mm Thickness : 170 micron (max)
Barcode	EAN-13, CODE128 (A,B,C) & QR Code
Keyboard	101 keys (70 preset)
Interface	<ul style="list-style-type: none"> • 2 x USB host (keyboard & scanner) • 1 x RS-232 • High Speed Ethernet
Factory option	Wi-Fi (20 meters line of sight)
Memory	2 MB (expandable upto 4 MB)
PLU	<ul style="list-style-type: none"> • 2 MB : 5000 (name, group, price, tax etc..) • 4 MB : 9999 (name, group, price, discount etc..)

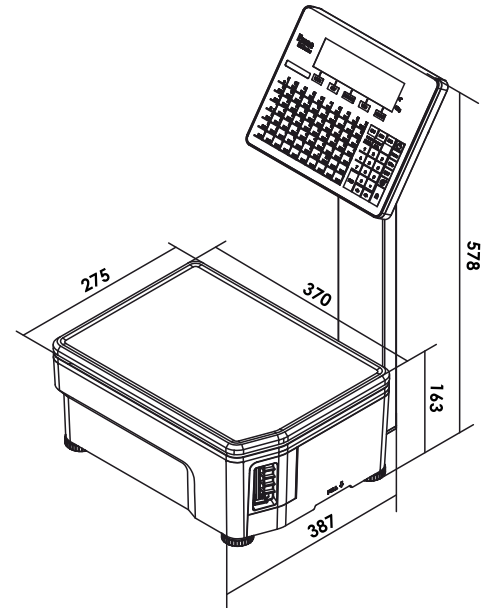
Customer Display



Sample Format



Dimension (mm)



Salient Value

- Large white LCD display for easy readability
- Superior styling & aesthetics, ideal for retail counters
- Elevated-style design with 70 preset keys for user-friendly operations
- Powerful ARM processor with flexible barcode options
- Optional Wi-Fi module enables cable-free operations

Your Essae representative

DEEPAK ELECTRONICS

**Contact no.- 9718298952
9212559709
9717099170**

Note: The above model meets the statutory and regulatory requirements as per the provision of legal metrology Act 2009 and legal metrology (General) Rule, 2011. Specifications are subject to change without notice. Other names and logos used are property of respective brands.

Form No. : CAT-RX-850EV-080 R00